

PILE EXTRACTION

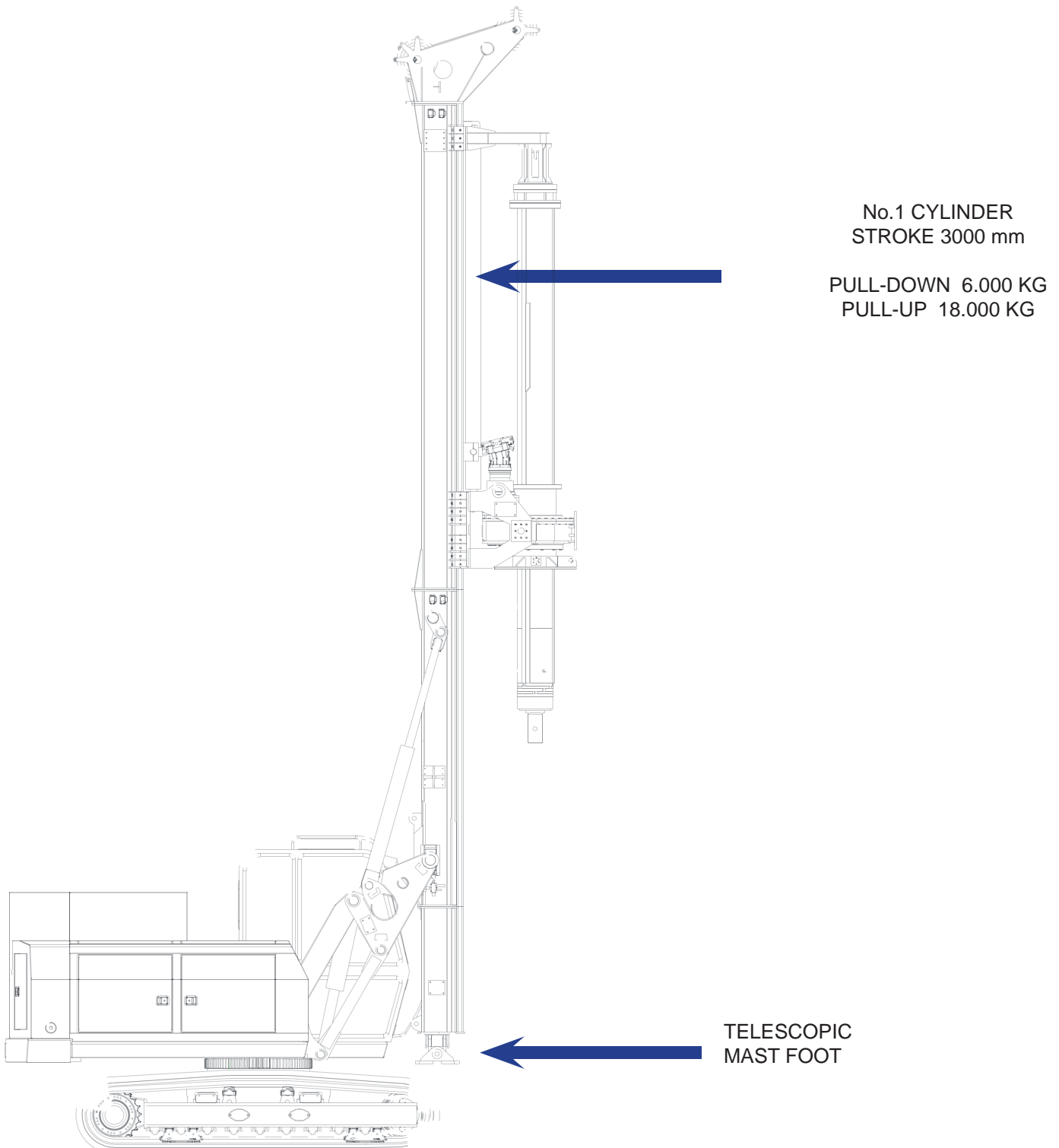


**Perforatrice Idraulica per Pali
Hydraulic Piling Rig**

FINAL PROPOSAL

IMPORTANT NOTE

ONLY ONE BASE MACHINE
WITH REMOVABLE TELESCOPIC MAST FOOT

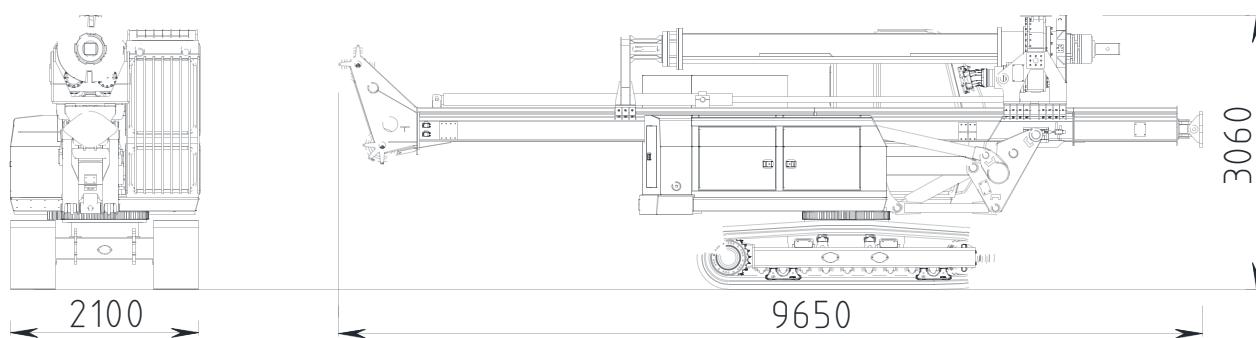
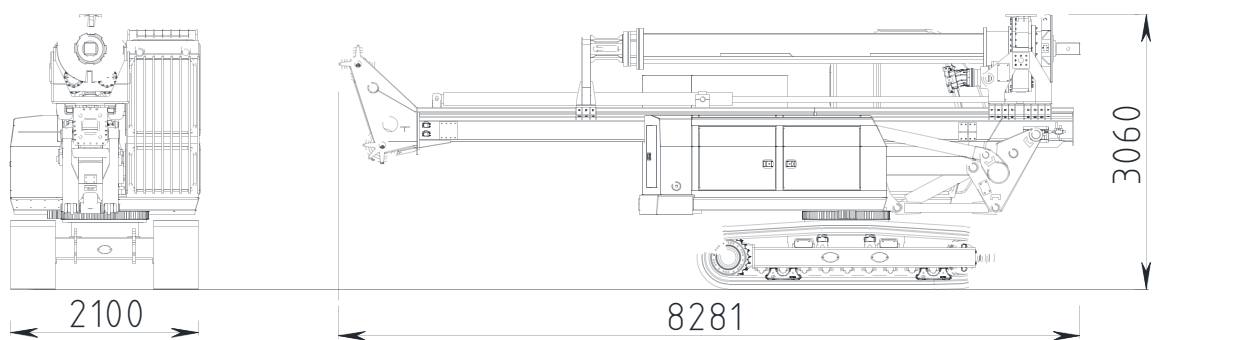


No.1 CYLINDER
STROKE 3000 mm

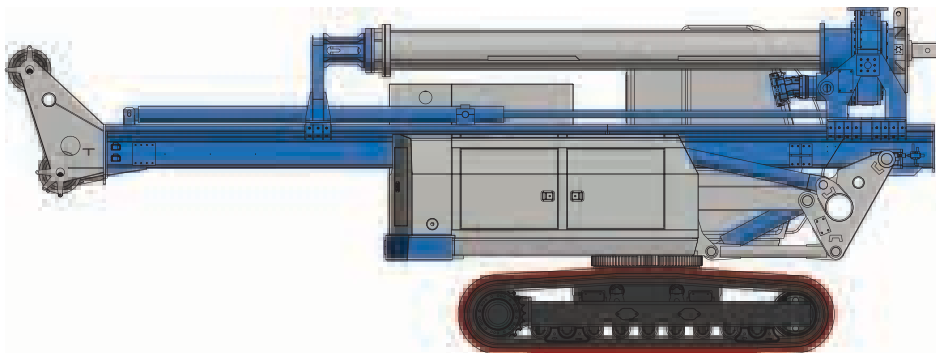
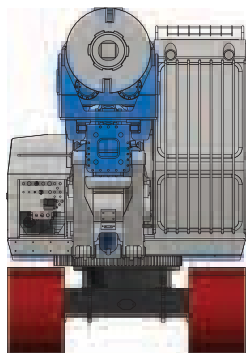
PULL-DOWN 6.000 KG
PULL-UP 18.000 KG

TELESCOPIC
MAST FOOT

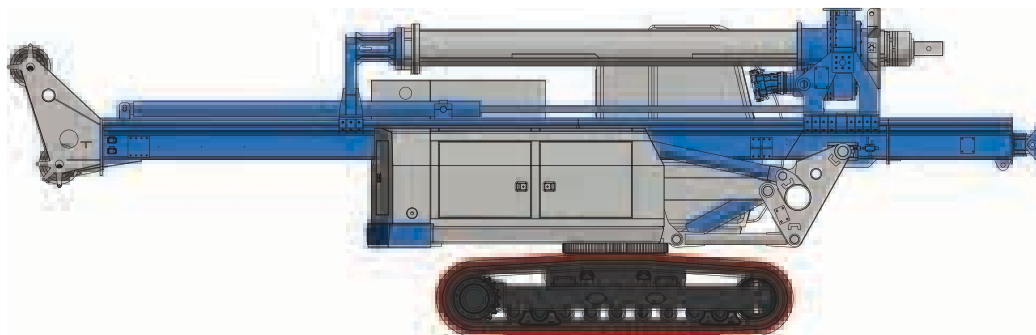
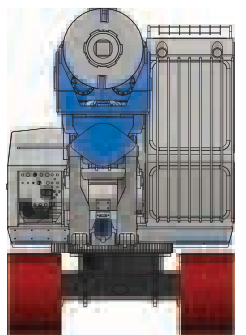
MAX transport dimensions



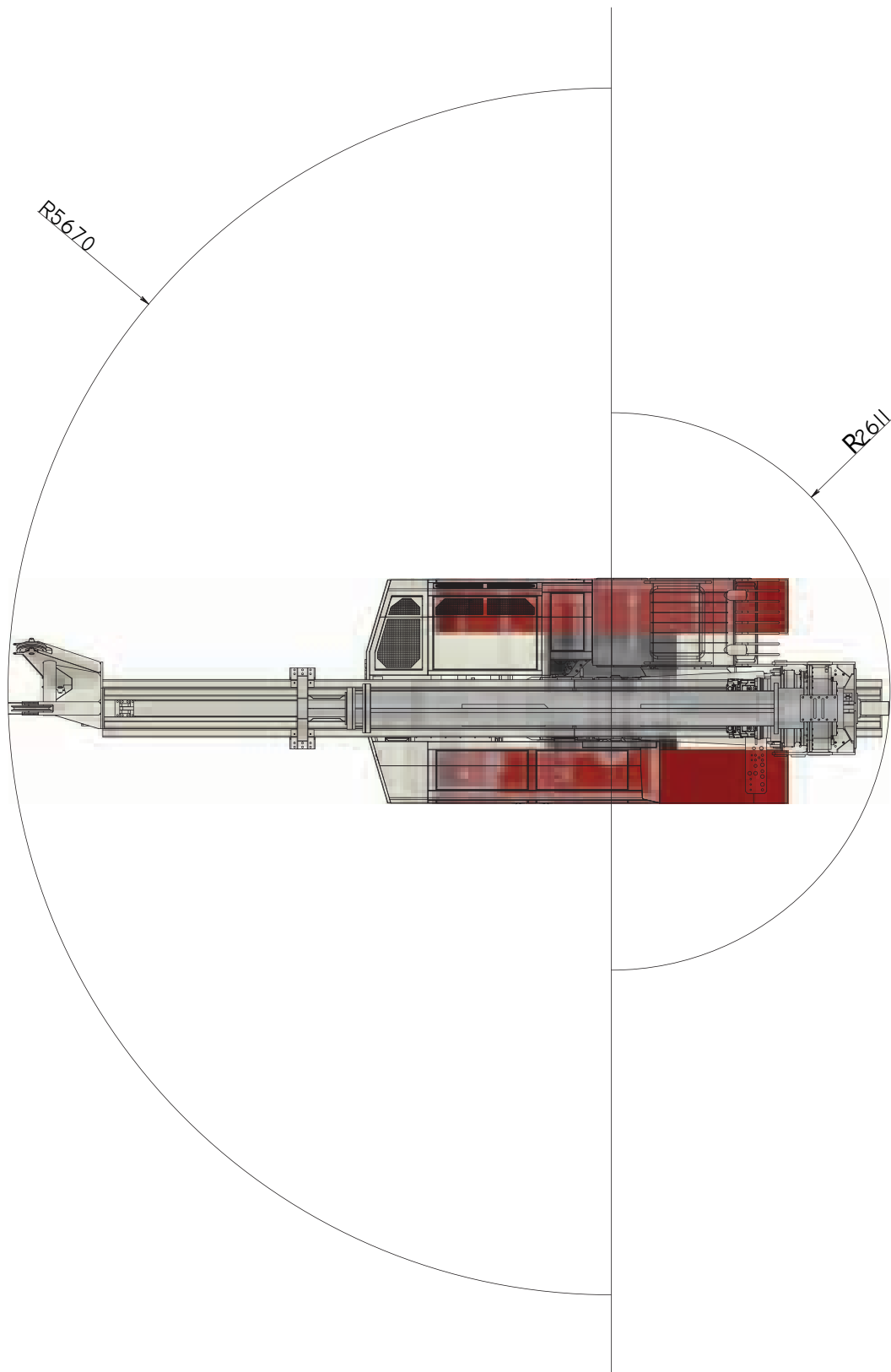
WITHOUT REMOVABLE MAST FOOT



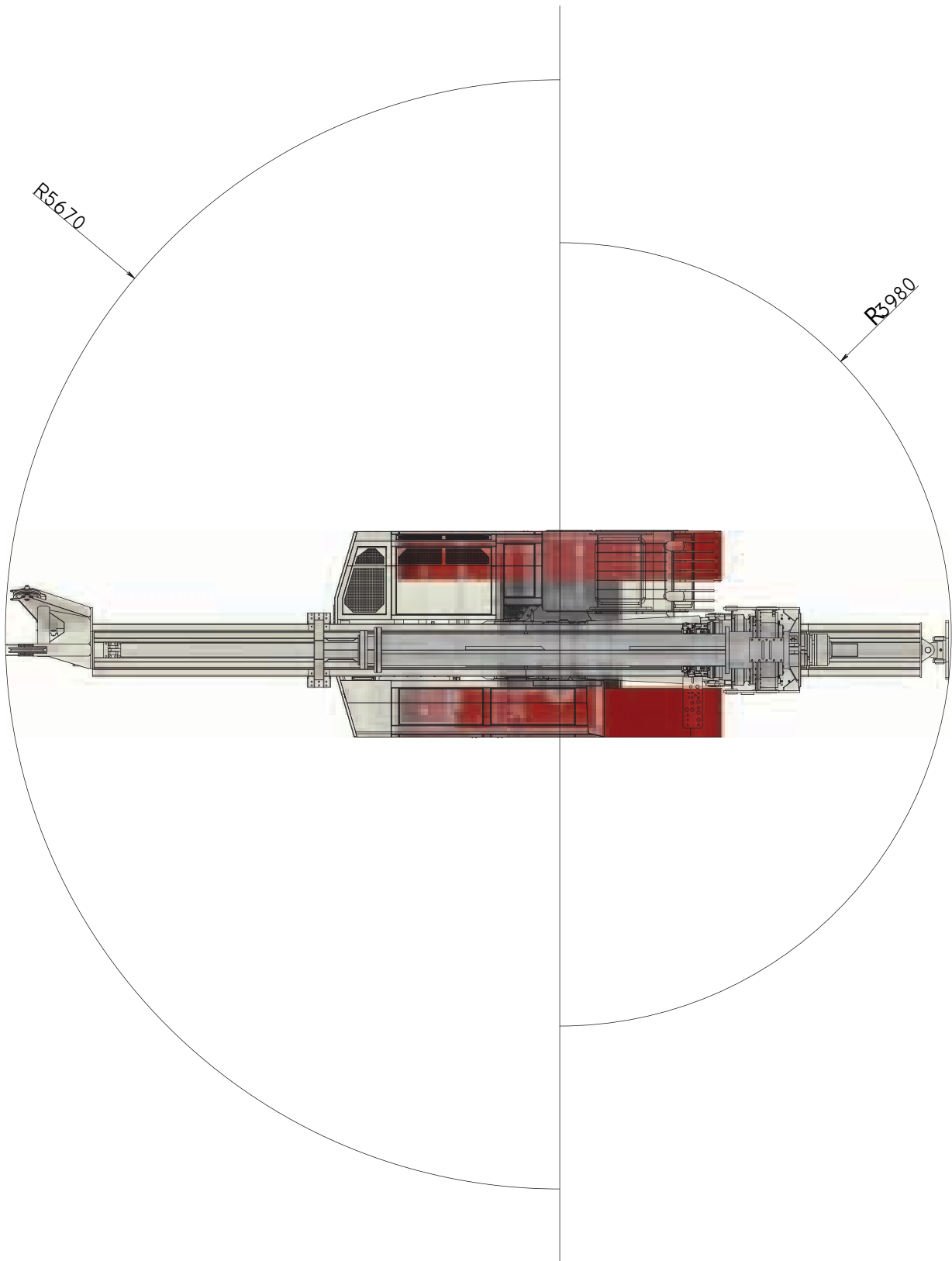
WITH REMOVABLE MAST FOOT



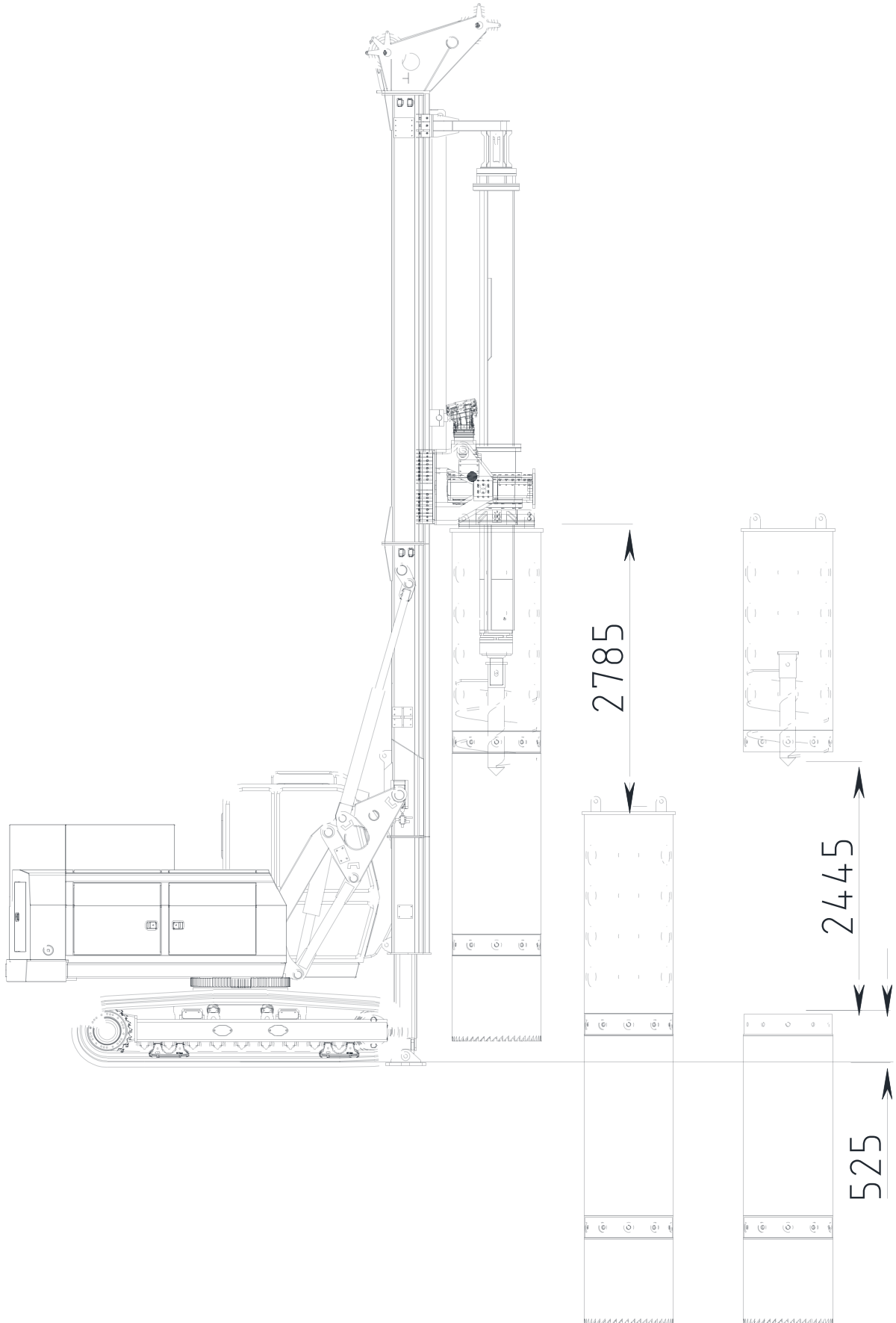
MAX radius with mast in horizontal position WITHOUT MAST FOOT



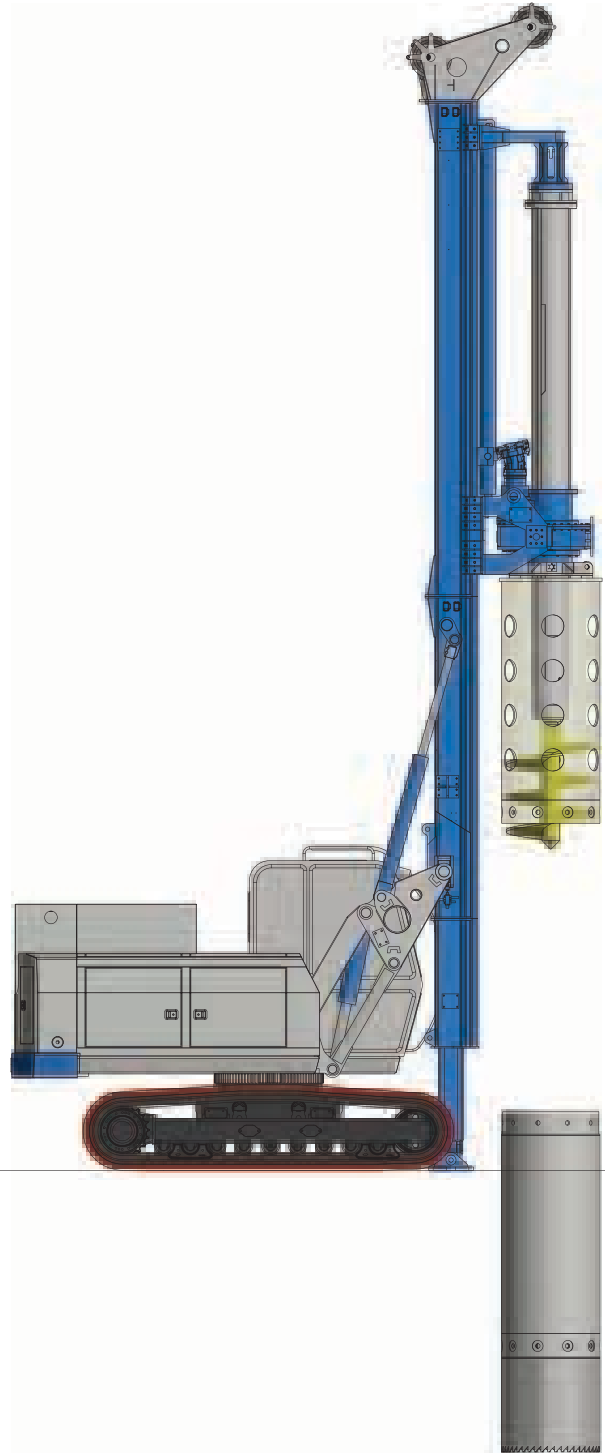
MAX radius with mast in horizontal position WITH MAST FOOT



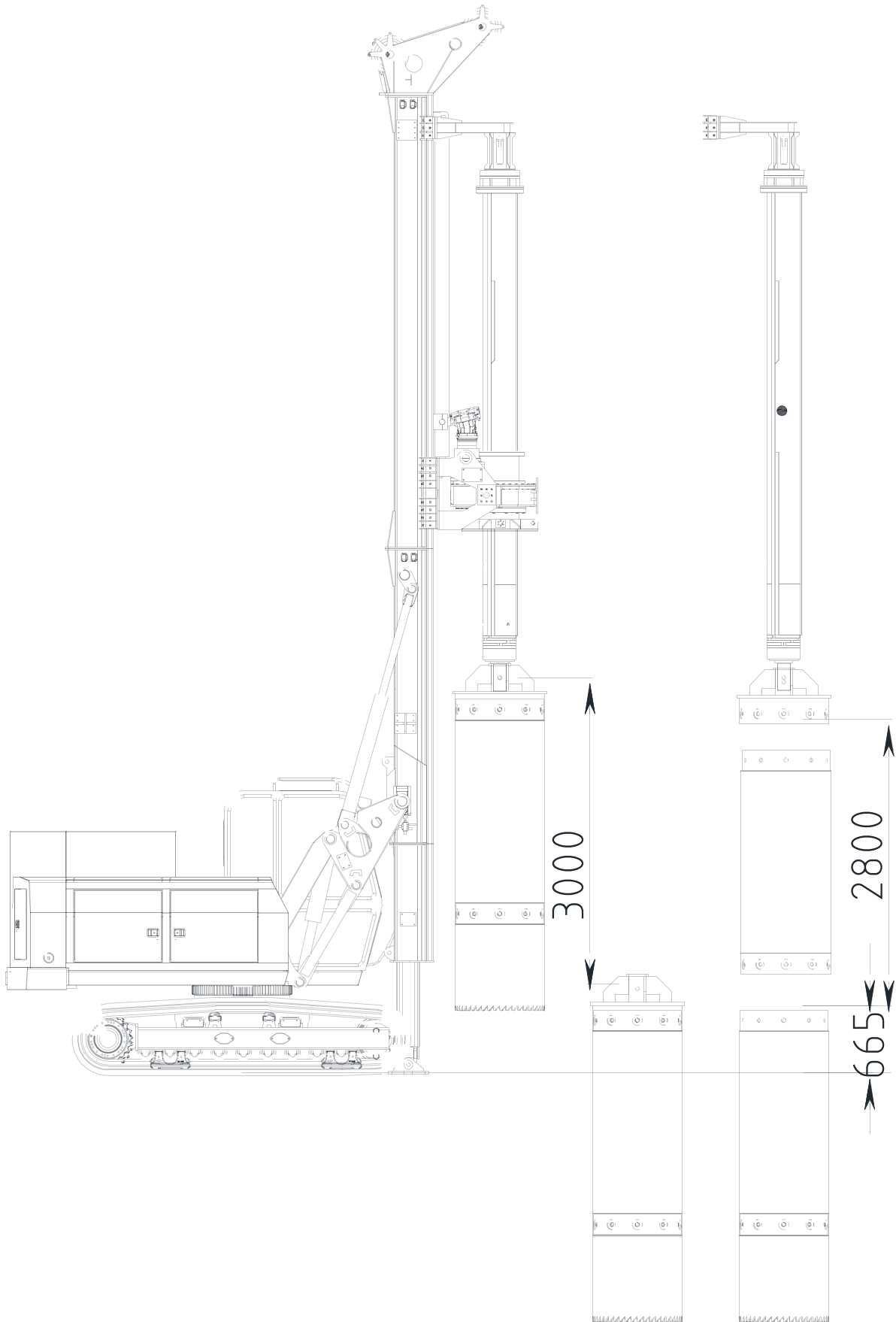
DRILLING WITH LONG TWISTER



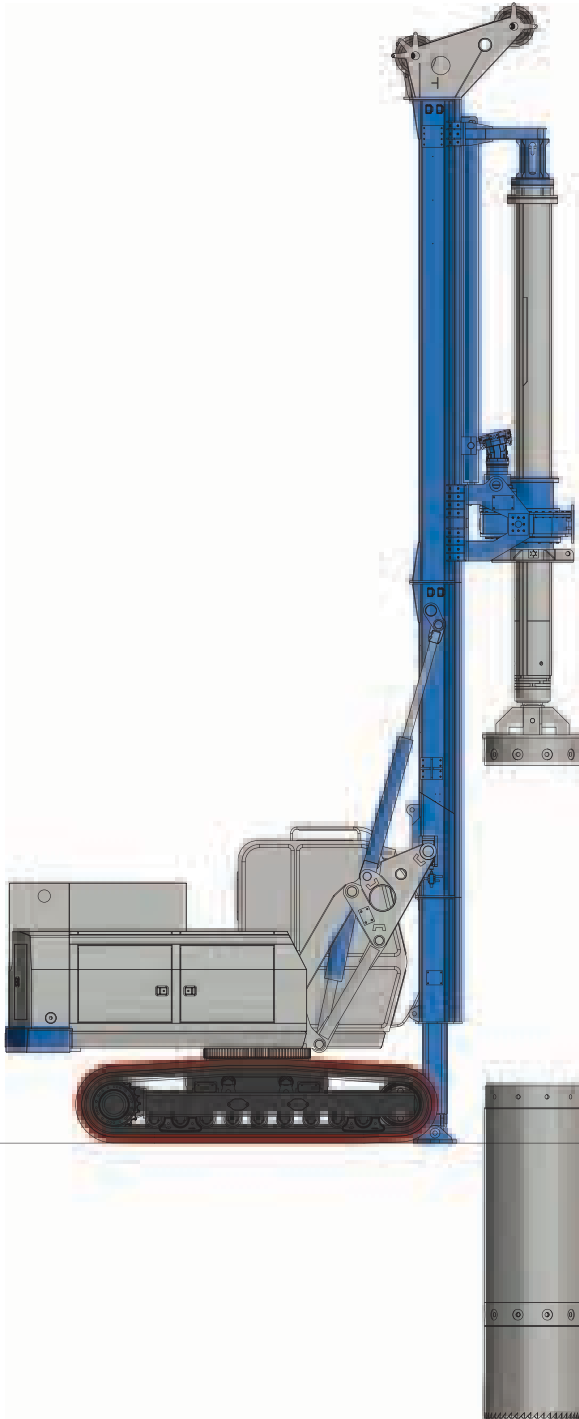
DRILLING WITH LONG TWISTER



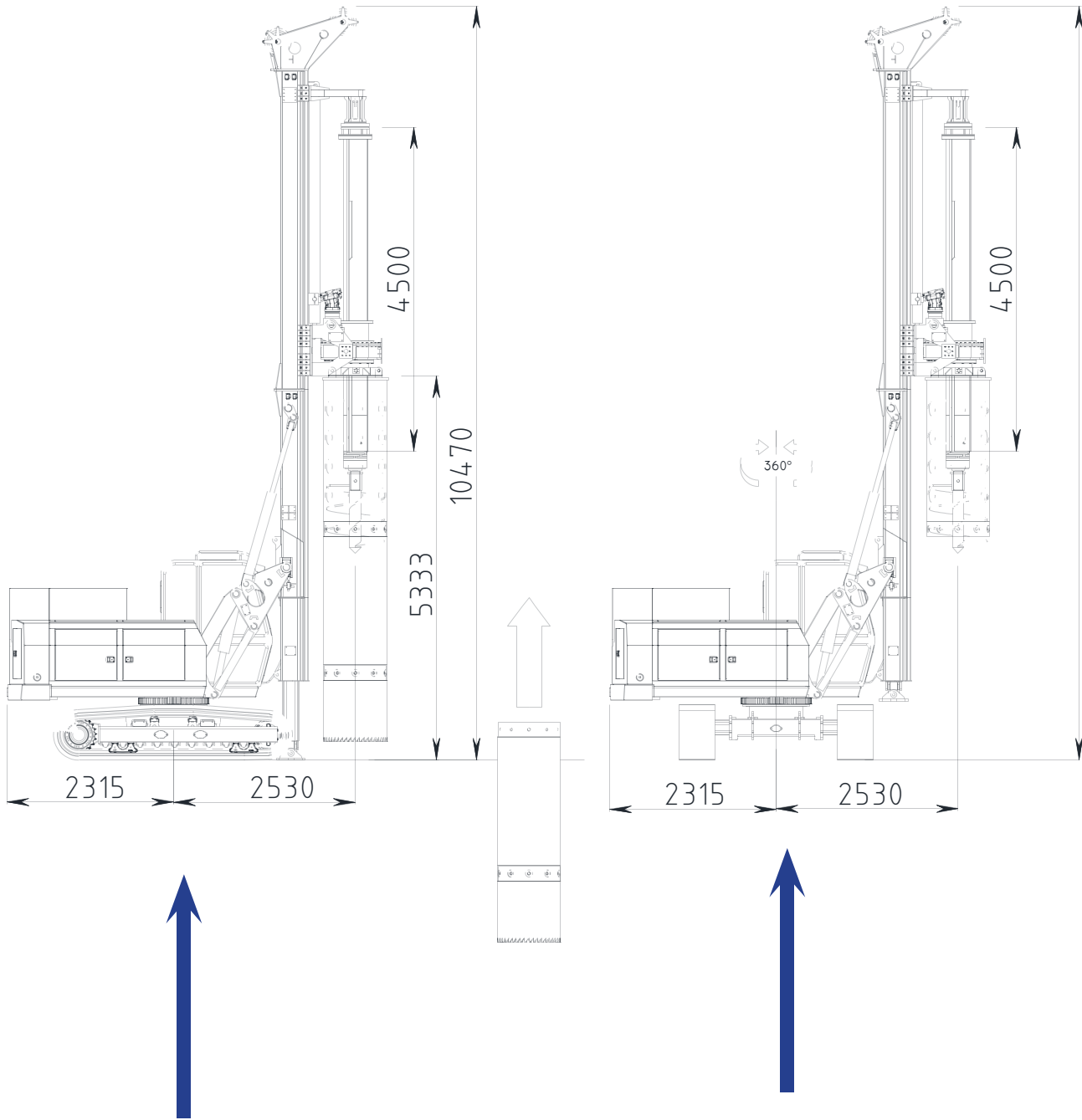
DRILLING WITH SHORT TWISTER



DRILLING WITH SHORT TWISTER

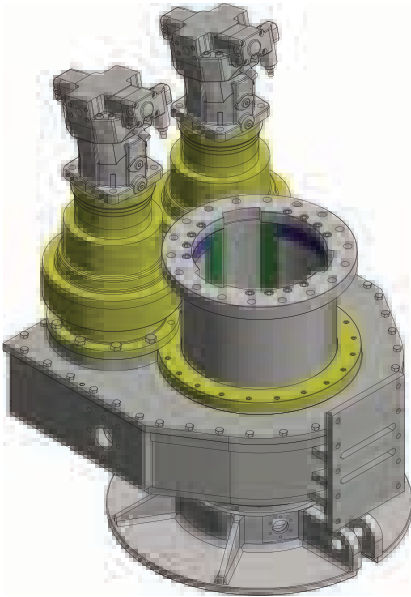


WORKING CONDITIONS



DRILLING and CASING
PULL UP / DOWN
RIG IN LONGITUDINAL POSITION

TRACKS AT 90° FOR
SPOIL DISCHARGE



ROTARY RT100/307

HYDRAULIC ROTARY RT100/307

- Short inner guide for kelly bar 323mm
- Central rotating turntable
- Pinion gear on roller gearing connected to reducers
- Main roller bearing internal
- N° 2 hydraulic motors **A6VM 80 Rex-Roth**
- N° 2 hydraulic reducers **TRASMITAL 307 i=30,74**
- N° 1 TWISTER FLANGE

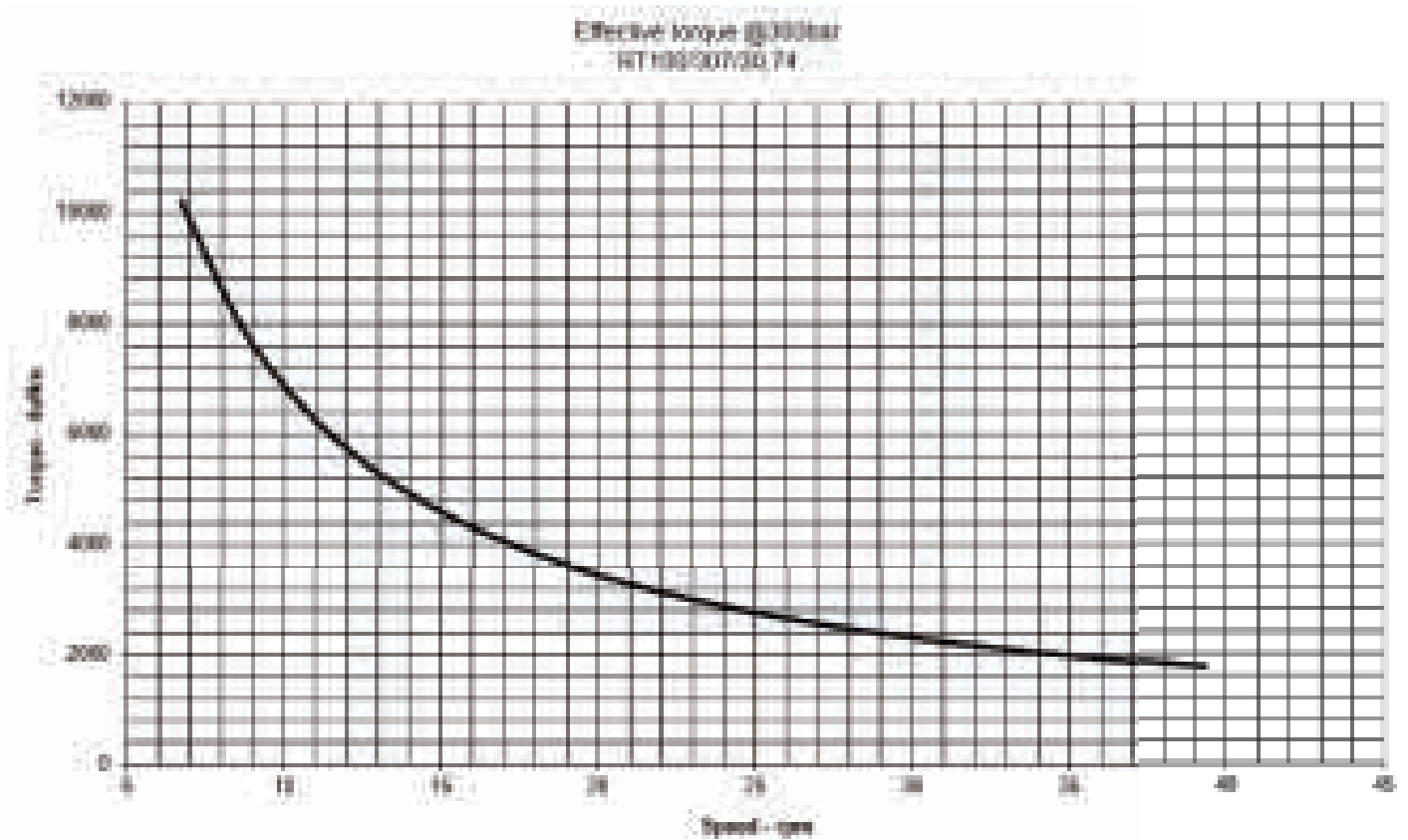


Nominal Torque @ 350 bar

Torque	kNm	119,26
Max Speed	rpm	6 - 24
Discharge Speed	rpm	39

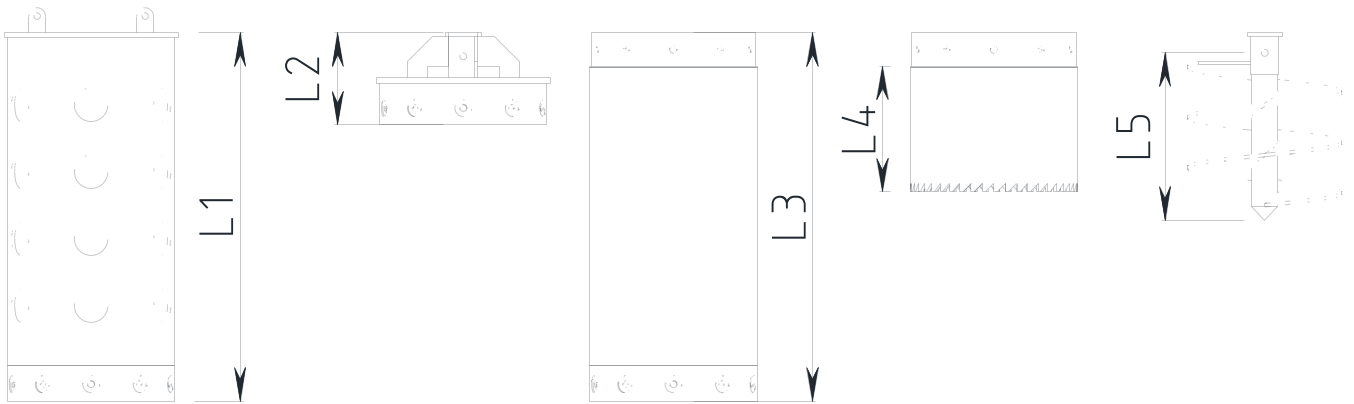
Actual Torque @ 300bar

Torque	kNm	102,22
Max Speed	rpm	7 - 28
Discharge Speed	rpm	39



SINGLE WALL CASINGS
light version with coupling screws (Soil Mec version)
for drilling rig Torque 11 t/m
&
Bucket
&
Auger

CASINGS
WEIGHTS AND DIMENSIONS



DIA mn 1180/1120

LONG TWISTER KG / L1mm	SHORT TWISTER KG / L2mm	CASING KG / L3mm	SHOE KG / L4mm	AUGER KG / L5mm
930 / 2200	580 / 550	935 / 2200	475 / 470	510 / 1000

DIA mn 1000 / 940

LONG TWISTER KG / Lmm	SHORT TWISTER KG / Lmm	CASING KG / Lmm	SHOE KG / Lmm	AUGER KG / Lmm
745 / 2200	470 / 550	785 / 2200	415 / 470	380 / 1000

DIA mn 880 / 820

LONG TWISTER KG / Lmm	SHORT TWISTER KG / Lmm	CASING KG / Lmm	SHOE KG / Lmm	AUGER KG / Lmm
640 / 2200	410 / 550	710 / 2200	370 / 470	310 / 1000

NOTE
the technical details as indicated in the offer

NOTE

Gamma produzione - Production range



S35C



S45



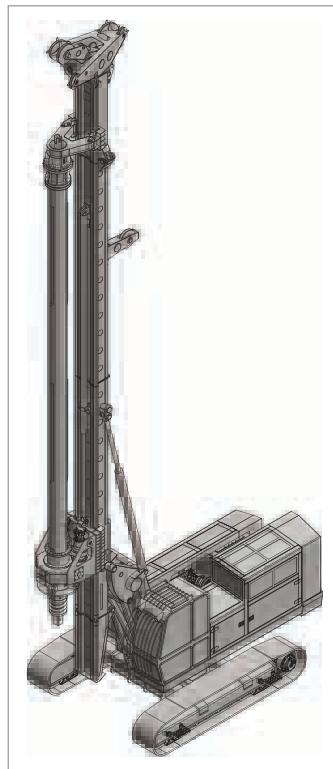
S80



S100



S120



S150



S175

SOILTEK 

SOIL TEK SRL via Don Morosini s.n. 66010 Tollo (CH) Italy
tel. ++39 0871 969110
www.soiltek.it - mail: info@soiltek.it

